

## MODEL B880



## DESCRIPTION

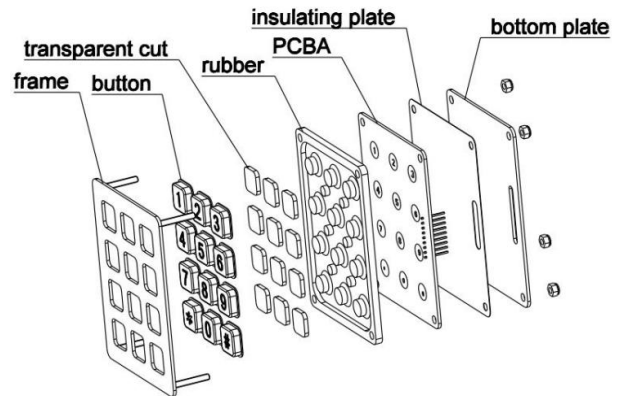
The 12 or 16 key S.series keypads are specially designed for public environment applications, such as vending machines, ticket machines, payment terminals, telephones, access control systems and industrial machinery.

Keys and front panel are built from SUS304# stainless steel with high resistance to impact and vandalism and is also sealed to IP54.

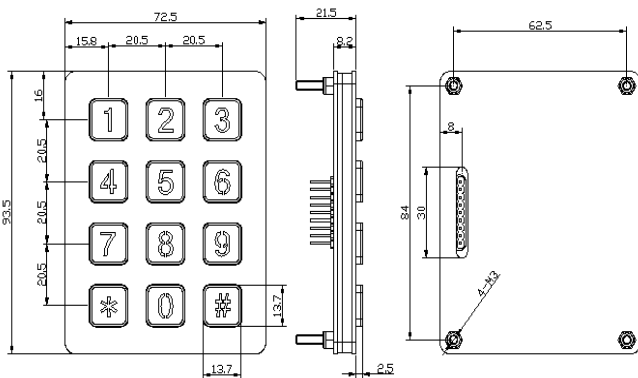
## 1 MAIN COMPONENTS

- Frame and keys are made of SUS304# stainless steel material
- Conductive metal domes
  - Working life: 1 million cycles of operation per key
  - Elastic force: 250g
- Conductive rubber with carbon layer
  - Contact resistance:  $\leq 150\Omega$
  - Elastic force: 200g
- 1.5mm thickness UL approved printed circuit board with golden fingers

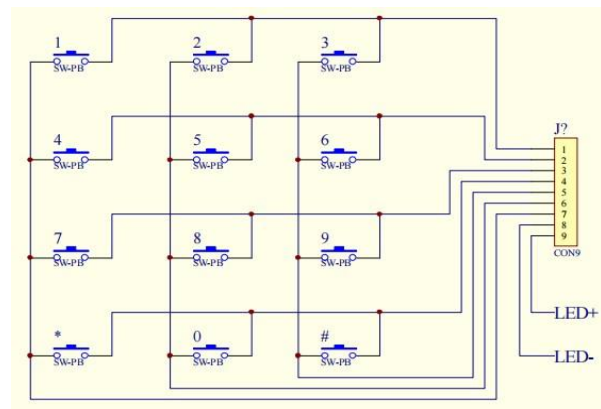
## 2 STRUCTURE DRAWING



## 3 DIMENSION DRAWING



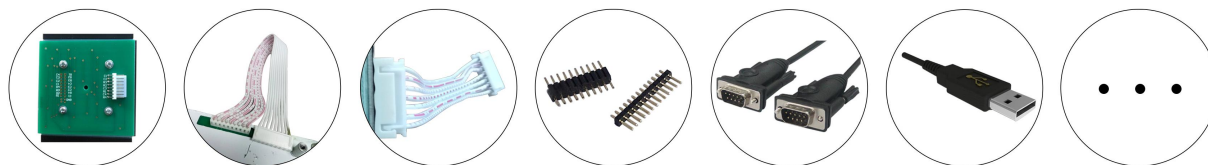
## 4 COMMON CIRCUIT



## 5 SPECIFICATION

Electrical Specification	Power Supply	Nominal 3 VDC
		Max. voltage 12VDC
		Min. voltage 3VDC
	Power Supply	Standard blue color and white, yellow, green and white color are optional.
	Contact Resistance	≤150Ω
Mechanical Characteristics	Storage Temperature	-40℃ ... +85℃
	Operation Temperature	-25℃ ... +65℃
	Protection Grade	IP54
	Shock Resistance	IK09
	Electrical Life	1 million cycles of operation per key
	Key Travel	0.45mm
	Actuation Force	250g/2.45N
	Environmental Resistance	Damp heat 21 days +40℃
Saline mist 96 Hours		
Dry heat 10 days +85℃		

## 6 CONNECTOR



Plug Connector    SCN plug+cabl    XH plug+cable    Pins header    DB9 Connector    USB    More

## 7 APPLICATION

